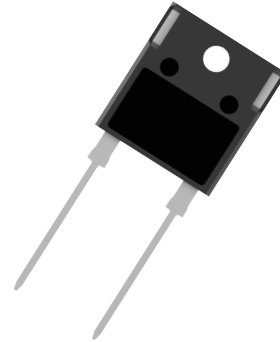


**Mechanical Data**

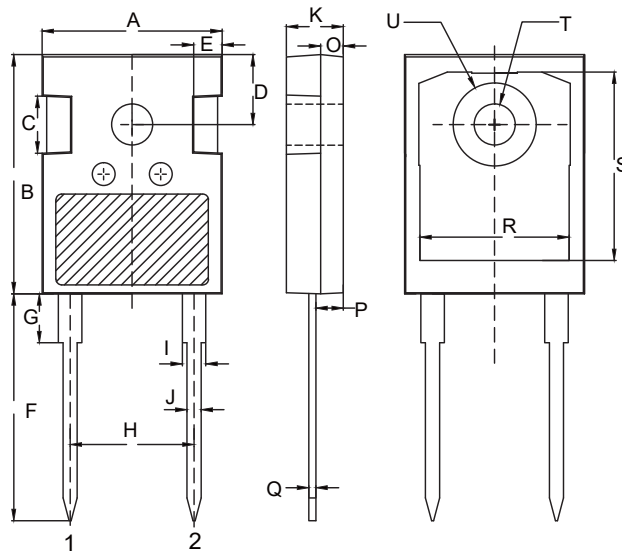
- Weight: 4.0500 grams (Approximate)
- Halogen Free Available Upon Request By Adding Suffix "-HF"
- Epoxy Meets UL 94 V-0 Flammability Rating
- Lead Free Finish/RoHS Compliant (Note1) ("P" Suffix Designates RoHS Compliant. See Ordering Information)

**Package 3D Photo**



Note: 1. High Temperature Solder Exemption Applied, see EU Directive Annex 7a.

**Package Outline Dimensions**



DIMENSIONS					
DIM	INCHES		MM		NOTE
	MIN	MAX	MIN	MAX	
A	0.610	0.663	15.50	16.85	
B	0.815	0.839	20.70	21.30	
C	0.189	0.205	4.80	5.20	
D	0.242		6.15		BSC.
E	0.091	0.106	2.30	2.70	
F	0.772	0.796	19.62	20.22	
G	-----	0.169	-----	4.30	
H	0.428		10.88		BSC.
I	0.075	0.087	1.91	2.21	
J	0.044	0.054	1.11	1.36	
K	0.189	0.205	4.80	5.20	
O	0.073	0.085	1.85	2.15	
P	0.087	0.103	2.21	2.61	
Q	0.020	0.030	0.51	0.75	
R	0.512	0.535	13.00	13.60	
S	0.640	0.663	16.25	16.85	
T	0.134	0.150	3.40	3.80	Φ
U	-----	0.287	-----	7.30	Φ

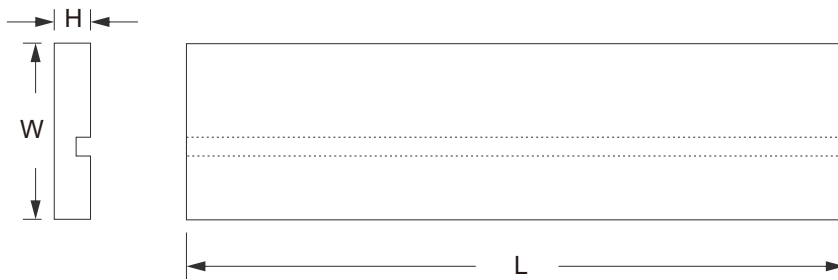
## Packing Quantity

Package	Package Type	Tube Quantity	Box Quantity	Carton Quantity
TO-247AD	Tube	30	360	1800

Note 1: These are minimum package quantities only. Minimum orders will differ. Contact the factory for more information on minimum order quantities.

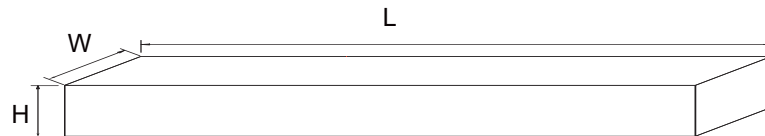
## Dimensions

### Tube Size



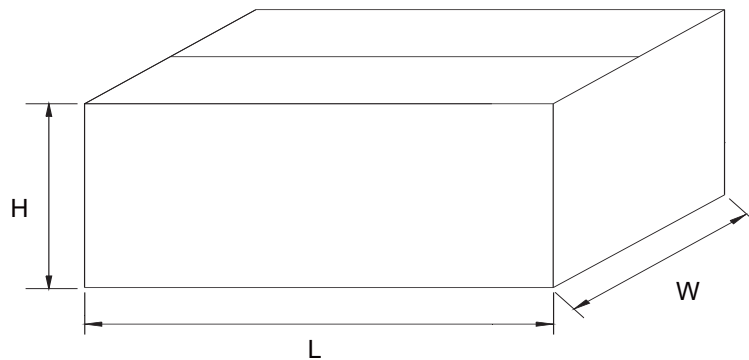
Description	Dimension	Specification(mm typical)
Length	L	495
Width	W	45
Height	H	7

### Inbox Size



Description	Dimension	Specification(mm typical)
Length	L	520
Width	W	115
Height	H	60

### Carton Size



Description	Dimension	Specification(mm typical)
Length	L	550
Width	W	325
Height	H	135