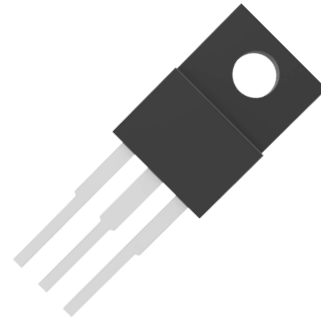


**Mechanical Data**

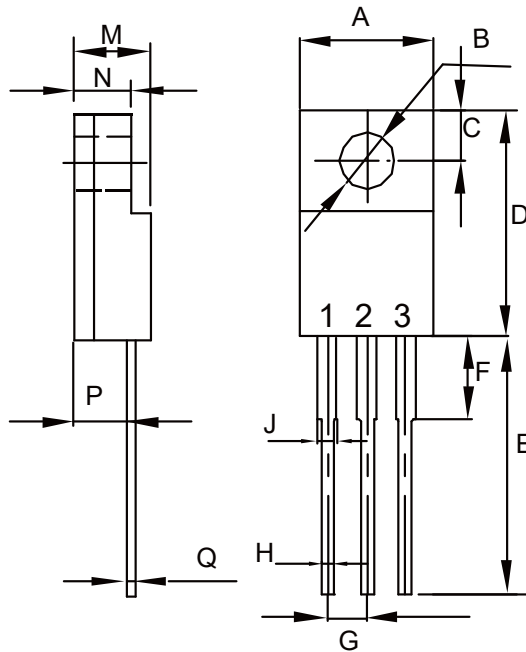
- Weight: 1.5950 grams (Approximate)
- Halogen Free Available Upon Request By Adding Suffix "-HF"
- Epoxy Meets UL 94 V-0 Flammability Rating
- Lead Free Finish/RoHS Compliant (Note1) ("P" Suffix Designates RoHS Compliant. See Ordering Information)

**Package 3D Photo**



Note: 1. High Temperature Solder Exemption Applied, see EU Directive Annex 7a.

**Package Outline Dimensions**



DIMENSIONS					
DIM	INCHES		MM		NOTE
	MIN	MAX	MIN	MAX	
A	0.392	0.421	9.96	10.70	
B	0.138		3.50		Φ
C	0.106		2.70		TYP.
D	0.567	0.642	14.40	16.30	
E	0.520		13.20		TYP.
F	---	0.177	---	4.50	
G	0.100		2.54		TYP.
H	0.020	0.035	0.50	0.90	
J	0.043	0.053	1.10	1.35	
M	0.169	0.201	4.30	5.10	
N	---	0.140	---	3.56	
P	0.083	0.126	2.10	3.20	
Q	0.020	0.032	0.50	0.80	

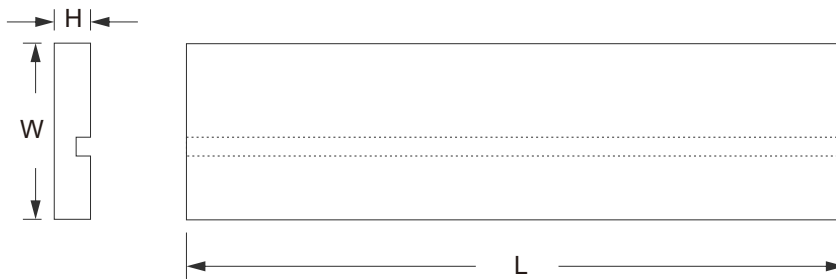
## Packing Quantity

Package	Package Type	Tube Quantity	Box Quantity	Carton Quantity
TO-220F	Tube	50	1000	5000

Note 1: These are minimum package quantities only. Minimum orders will differ. Contact the factory for more information on minimum order quantities.

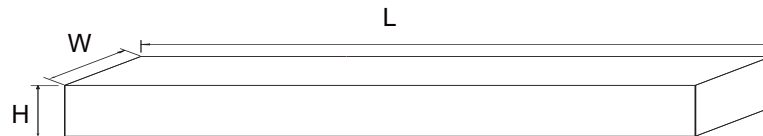
## Dimensions

### Tube Size



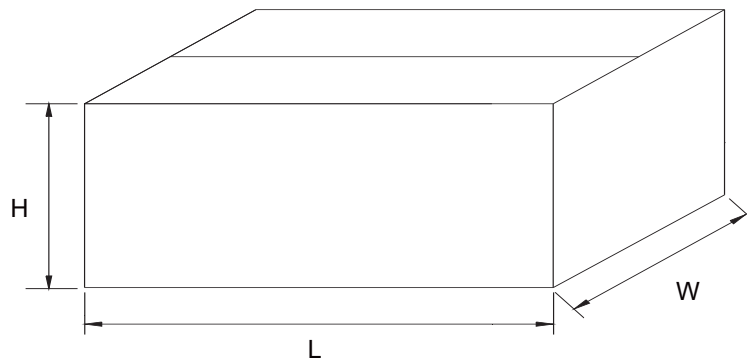
Description	Dimension	Specification(mm typical)
Length	L	530
Width	W	33
Height	H	7

### Inbox Size



Description	Dimension	Specification(mm typical)
Length	L	560
Width	W	150
Height	H	40

### Carton Size



Description	Dimension	Specification(mm typical)
Length	L	570
Width	W	210
Height	H	175