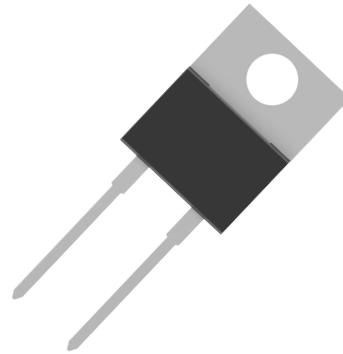


Mechanical Data

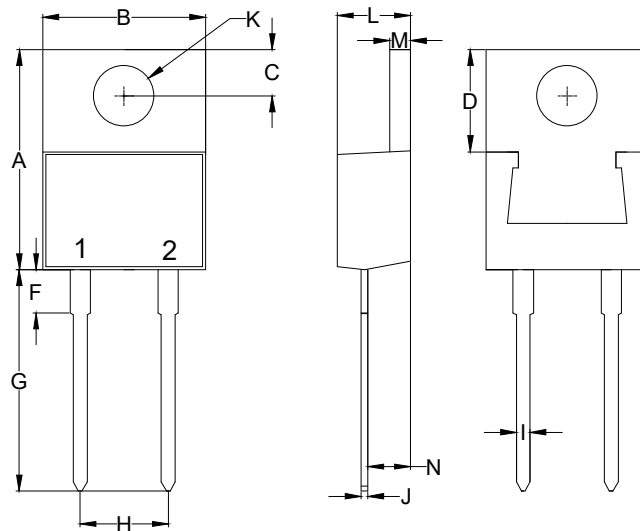
- Weight: 2.240 grams (Approximate)
- Halogen Free Available Upon Request By Adding Suffix "-HF"
- Epoxy Meets UL 94 V-0 Flammability Rating
- Lead Free Finish/RoHS Compliant (Note¹) ("P" Suffix Designates RoHS Compliant. See Ordering Information)

Package 3D Photo



Note: 1. High Temperature Solder Exemption Applied, see EU Directive Annex 7a.

Package Outline Dimensions



DIMENSIONS					
DIM	INCHES		MM		NOTE
	MIN	MAX	MIN	MAX	
A	0.560	0.625	14.22	15.88	
B	0.380	0.420	9.65	10.67	
C	0.100	0.135	2.54	3.43	
D	0.230	0.270	5.84	6.86	
F	-----	0.250	-----	6.35	
G	0.500	0.580	12.70	14.73	
H	0.190	0.210	4.83	5.33	
I	0.020	0.045	0.51	1.14	
J	0.012	0.025	0.30	0.64	
K	0.139	0.161	3.53	4.09	Φ
L	0.140	0.190	3.56	4.83	
M	0.045	0.055	1.14	1.40	
N	0.080	0.115	2.03	2.92	

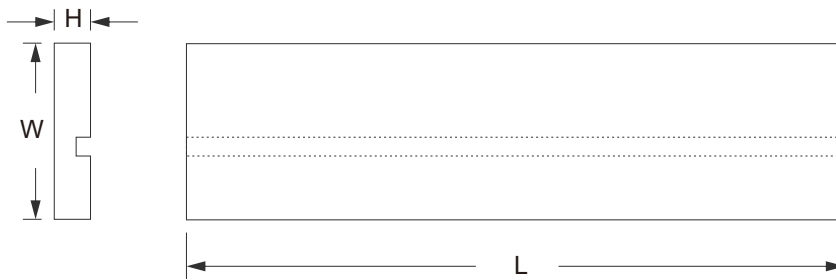
Packing Quantity

Package	Package Type	Tube Quantity	Box Quantity	Carton Quantity
TO-220AC	Tube	50	1000	5000

Note 1: These are minimum package quantities only. Minimum orders will differ. Contact the factory for more information on minimum order quantities.

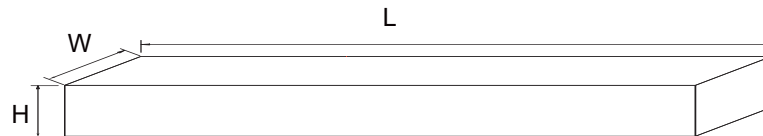
Dimensions

Tube Size



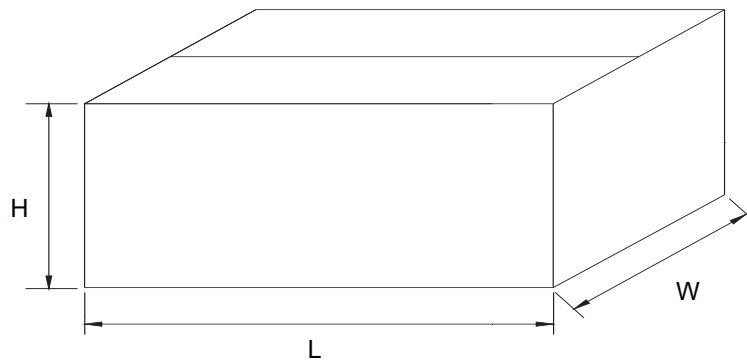
Description	Dimension	Specification(mm typical)
Length	L	530
Width	W	33
Height	H	7

Inbox Size



Description	Dimension	Specification(mm typical)
Length	L	560
Width	W	150
Height	H	40

Carton Size



Description	Dimension	Specification(mm typical)
Length	L	570
Width	W	210
Height	H	175