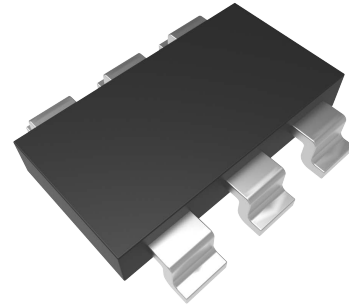


**Mechanical Data**

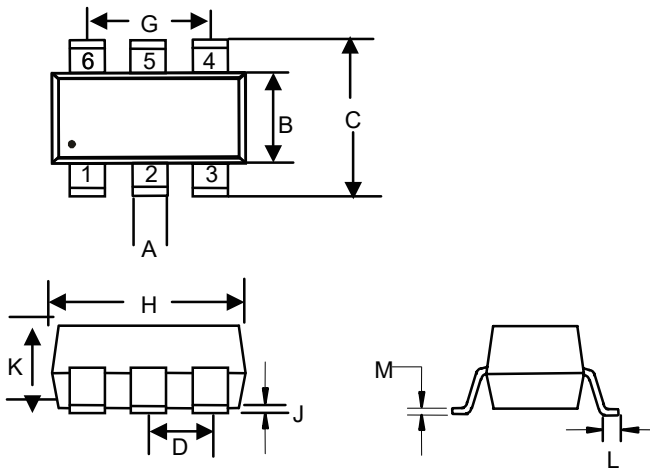
- Surface Mount Package
- Weight: 0.0160 grams (Approximate)
- Moisture Sensitivity Level 1
- Halogen Free Available Upon Request By Adding Suffix "-HF"
- Epoxy Meets UL 94 V-0 Flammability Rating
- Lead Free Finish/RoHS Compliant <sup>(Note1)</sup> ("P" Suffix Designates RoHS Compliant. See Ordering Information)

Note: 1. High Temperature Solder Exemption Applied, see EU Directive Annex 7a.

**Package 3D Photo**



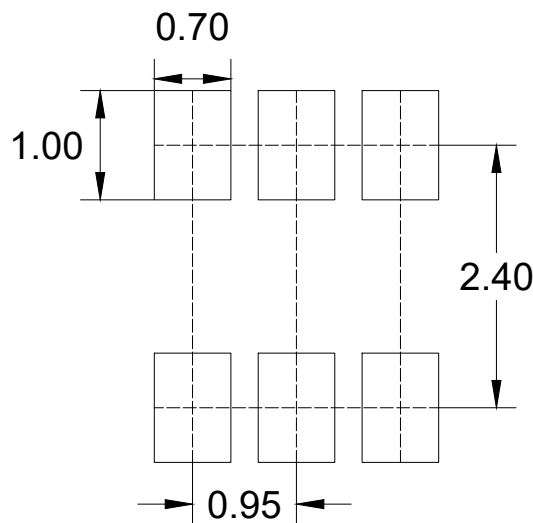
**Package Outline Dimensions**



| DIM | DIMENSIONS |       |      |      | NOTE |
|-----|------------|-------|------|------|------|
|     | INCHES     |       | MM   |      |      |
| A   | 0.012      | 0.020 | 0.30 | 0.50 |      |
| B   | 0.051      | 0.070 | 1.30 | 1.80 |      |
| C   | 0.087      | 0.126 | 2.20 | 3.20 |      |
| D   | 0.037      |       | 0.95 |      | TYP. |
| G   | 0.074      |       | 1.90 |      | TYP. |
| H   | 0.106      | 0.122 | 2.70 | 3.10 |      |
| J   | 0.002      | 0.006 | 0.05 | 0.15 |      |
| K   | 0.030      | 0.051 | 0.75 | 1.30 |      |
| L   | 0.012      | 0.024 | 0.30 | 0.60 |      |
| M   | 0.003      | 0.008 | 0.08 | 0.22 |      |

**Suggested Solder Pad Layout**

Unit:mm



Notes:

- 1.The suggested land pattern dimensions have been provided for reference only.
- 2.For further information,please reference document IPC-7351A.

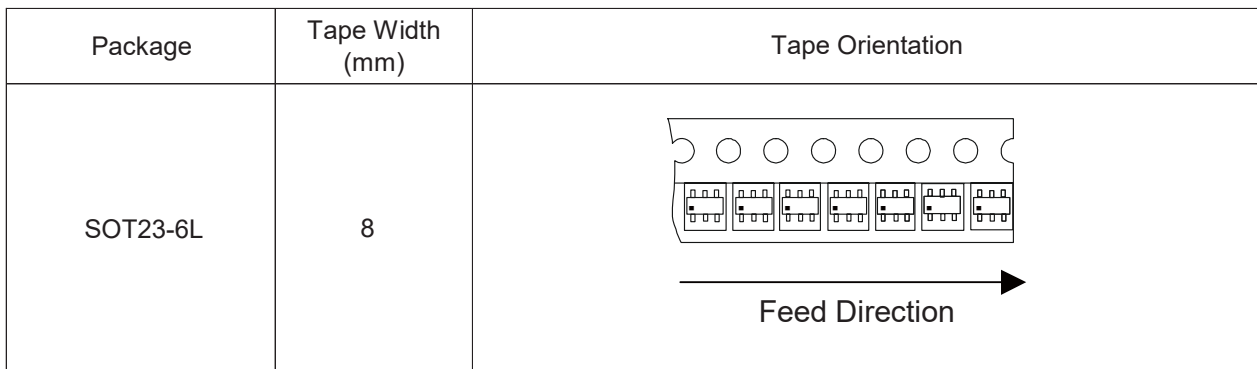
**Packing Quantity**

| Package  | Tape Width (mm) | Reel Size (inch) | Reel Quantity | BOX Quantity | Carton Quantity |
|----------|-----------------|------------------|---------------|--------------|-----------------|
| SOT23-6L | 8               | 7                | 3000          | 30K          | 120K            |

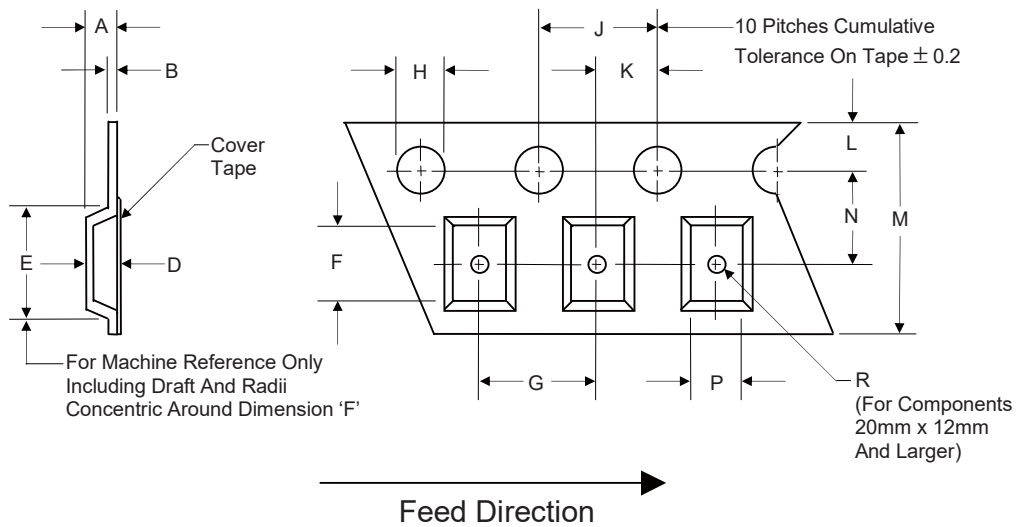
Note 1: These are minimum package quantities only. Minimum orders will differ. Contact the factory for more information on minimum order quantities.

Note 2: MCC Tape&reel products meets EIA-481 REV D specification.

**Device Tape Orientation**



**Embossed Carrier Tape Specifications**



| Tape Width  | H       | L    | J    | B   | D          | F | P |
|-------------|---------|------|------|-----|------------|---|---|
| 8mm         | 1.5     | 1.75 | 4.0  | 0.6 | See Note 3 |   |   |
| (Tolerance) | +0.1/-0 | ±0.1 | ±0.1 | Max |            |   |   |

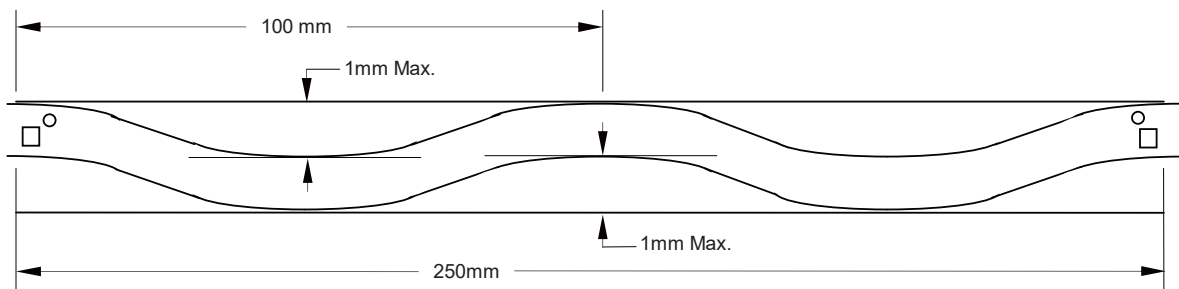
| Tape Width  | E   | R   | N     | A   | K     | M    | G    |
|-------------|-----|-----|-------|-----|-------|------|------|
| 8mm         | 4.2 | 1.0 | 3.5   | 2.4 | 2.0   | 8.0  | 4.0  |
| (Tolerance) | Max | Min | ±0.05 | Max | ±0.05 | ±0.3 | ±0.1 |

Note 3: D,E,F are determined by constant size. The clearance between the part and the tape cavity must be within 0.05mm min. to 0.50mm max. for 8mm tape.

## Embossed Carrier Tape Specifications

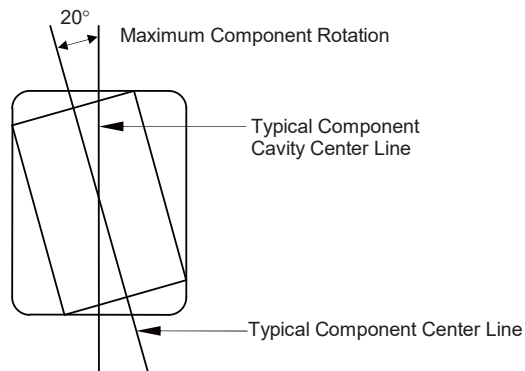


| Tape Size | R Min. |
|-----------|--------|
| 8mm       | 25mm   |

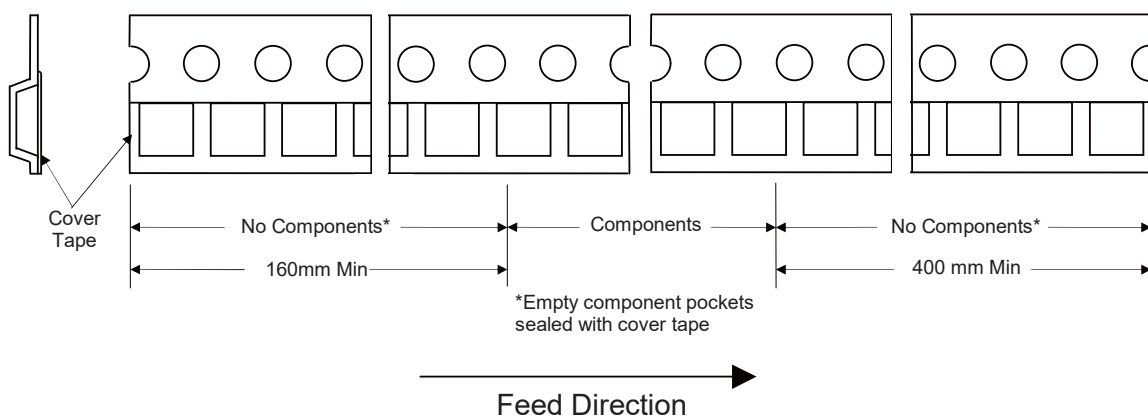


Camber (Top View)

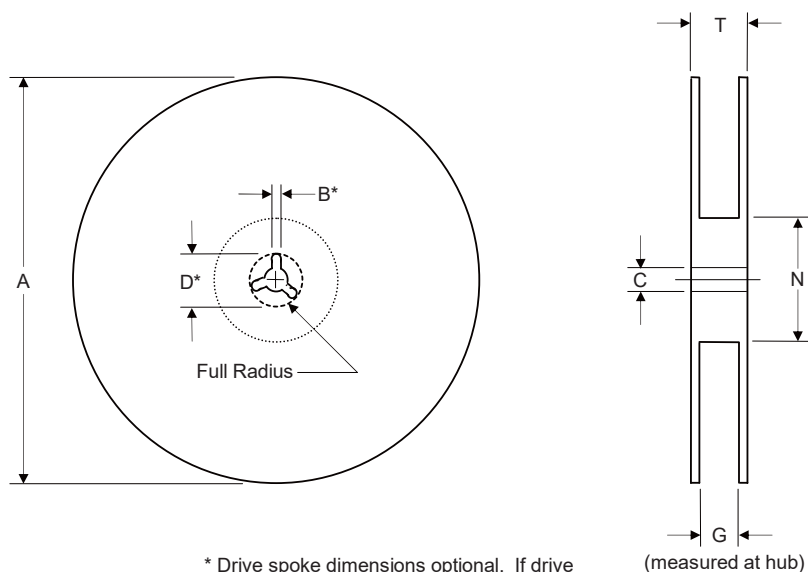
Allowable camber to be 1mm/100mm non-accumulative over 250mm



## Start and Finish Specification



## Surface Mount Reel Specifications

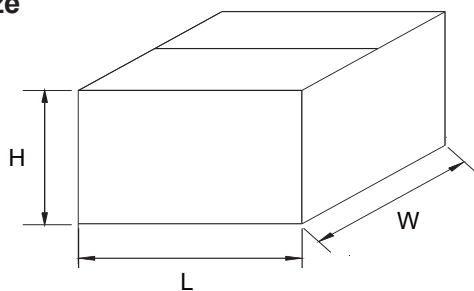


\* Drive spoke dimensions optional. If drive spoke is used then asterisked dimensions apply.

| Tape Width  | A   | B   | C    | D    | N    | G    | T    |
|-------------|-----|-----|------|------|------|------|------|
| 8mm         | 180 | 1.5 | 13.0 | 20.2 | 55   | 8.4  | 14.4 |
| (Tolerance) | Max | Min | ±0.2 | Min  | ±5.0 | +1.5 | Max  |

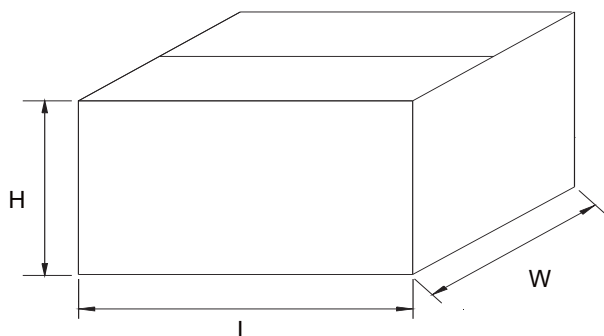
## Dimensions

### Inbox Size



| Dimension | Specification(mm typical) |         |
|-----------|---------------------------|---------|
|           | General                   | MBB Bag |
| L         | 187                       | 227     |
| W         | 130                       | 145     |
| H         | 187                       | 202     |

### Carton Size



| Dimension | Specification(mm typical) |         |
|-----------|---------------------------|---------|
|           | General                   | MBB Bag |
| L         | 390                       | 470     |
| W         | 275                       | 305     |
| H         | 207                       | 223     |