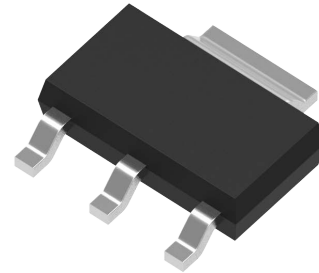


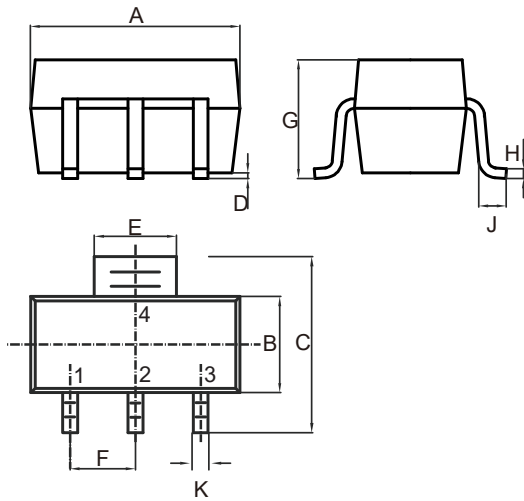
Mechanical Data

- Surface Mount Package
- Weight: 0.1160 grams (Approximate)
- Moisture Sensitivity Level 1
- Halogen Free. "Green" Device (Note 1)
- Epoxy Meets UL 94 V-0 Flammability Rating
- Lead Free Finish/RoHS Compliant (Note2) ("P" Suffix Designates RoHS Compliant. See Ordering Information)



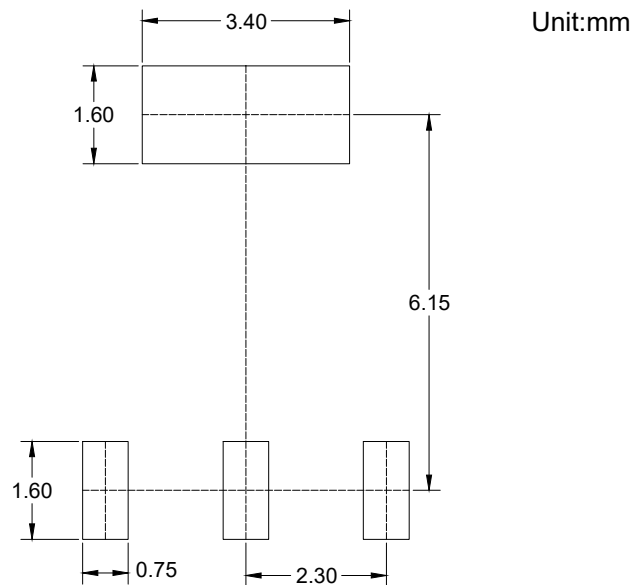
Note:1. free "Green" products are defined as those which contain <900ppm bromine, <900ppm chlorine (<1500ppm total Br + Cl) and <1000ppm antimony compounds.
2. High Temperature Solder Exemption Applied, see EU Directive Annex 7a.

Package Outline Dimensions



| DIM | DIMENSIONS | | | | NOTE |
|-----|------------|-------|------|------|------|
| | INCHES | | MM | | |
| | MIN | MAX | MIN | MAX | |
| A | 0.248 | 0.264 | 6.30 | 6.70 | |
| B | 0.130 | 0.146 | 3.30 | 3.70 | |
| C | 0.264 | 0.287 | 6.70 | 7.30 | |
| D | 0.001 | 0.004 | 0.02 | 0.10 | |
| E | 0.114 | 0.122 | 2.90 | 3.10 | |
| F | 0.091 | | 2.30 | | TYP. |
| G | --- | 0.071 | --- | 1.80 | |
| H | 0.009 | 0.014 | 0.23 | 0.35 | |
| J | 0.030 | --- | 0.75 | --- | |
| K | 0.026 | 0.033 | 0.66 | 0.84 | |

Suggested Solder Pad Layout



Notes:

- 1.The suggested land pattern dimensions have been provided for reference only.
- 2.For further information,please reference document IPC-7351A.

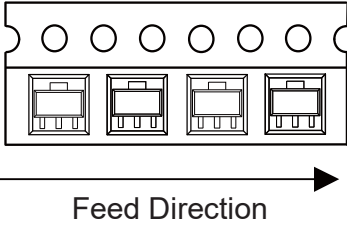
Packing Quantity

| Package | Tape Width (mm) | Reel Size (inch) | Reel Quantity | BOX Quantity | Carton Quantity |
|---------|-----------------|------------------|---------------|--------------|-----------------|
| SOT-223 | 12 | 13 | 2500 | 5K | 25K |

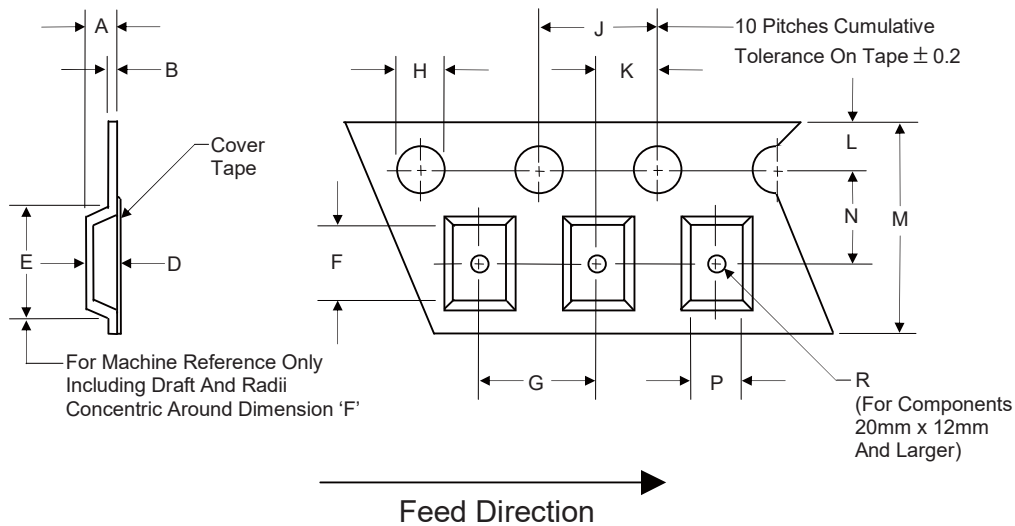
Note 1: These are minimum package quantities only. Minimum orders will differ. Contact the factory for more information on minimum order quantities.

Note 2: MCC Tape&reel products meets EIA-481 REV D specification.

Device Tape Orientation

| Package | Tape Width (mm) | Tape Orientation |
|---------|-----------------|--|
| SOT-223 | 12 |  |

Embossed Carrier Tape Specifications

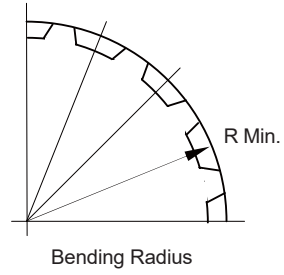
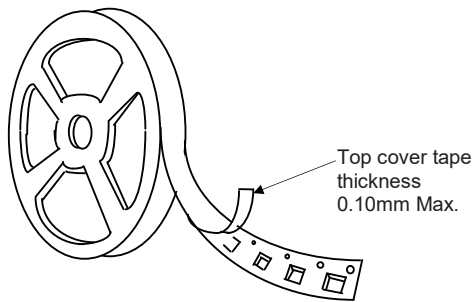


| Tape Width | H | L | J | B | D | F | P |
|-------------|---------|------|------|-----|------------|---|---|
| 12mm | 1.5 | 1.75 | 4.0 | 0.6 | See Note 3 | | |
| (Tolerance) | +0.1/-0 | ±0.1 | ±0.1 | Max | | | |

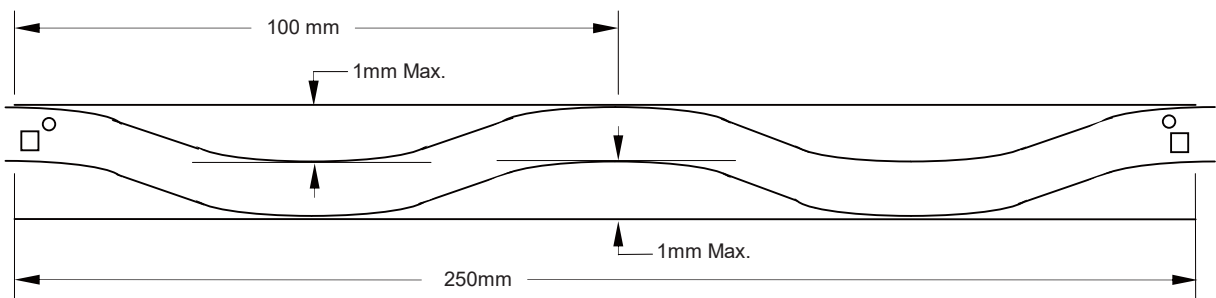
| Tape Width | E | R | N | A | K | M | G |
|-------------|-----|-----|-------|-----|-------|------|------|
| 12mm | 8.2 | 1.5 | 5.5 | 4.5 | 2.0 | 12.0 | 8.0 |
| (Tolerance) | Max | Min | ±0.05 | Max | ±0.05 | ±0.3 | ±0.1 |

Note 3: D,E,F are determined by constant size. The clearance between the part and the tape cavity must be within 0.05mm min. to 0.65mm max. for 12mm tape.

Embossed Carrier Tape Specifications

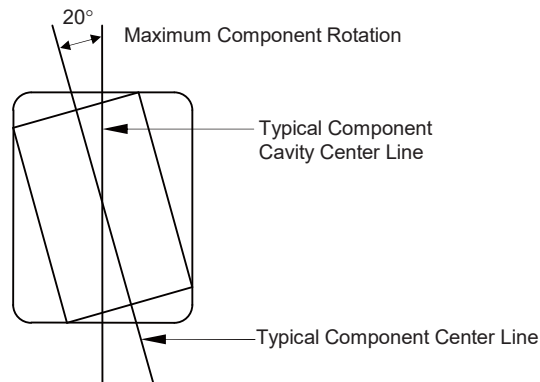


| Tape Size | R Min. |
|-----------|--------|
| 12mm | 30mm |

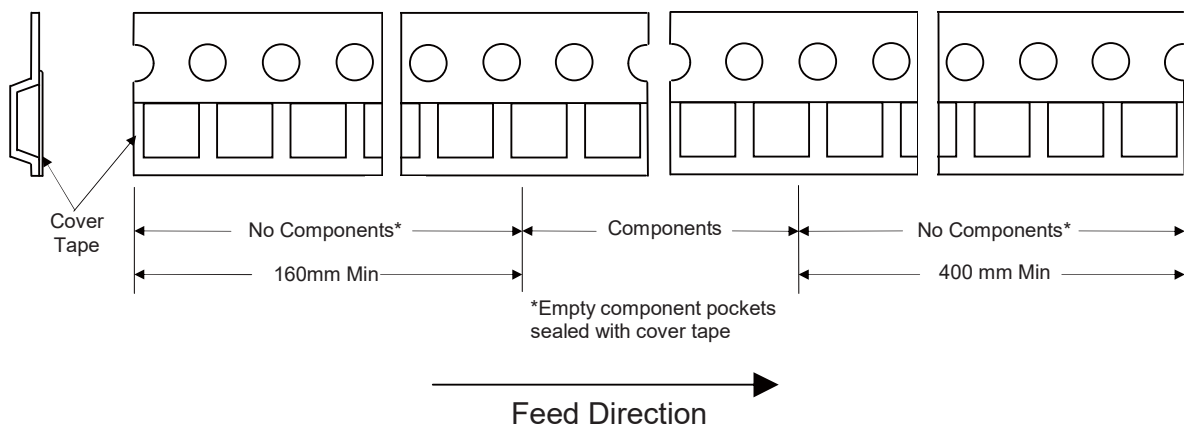


Camber (Top View)

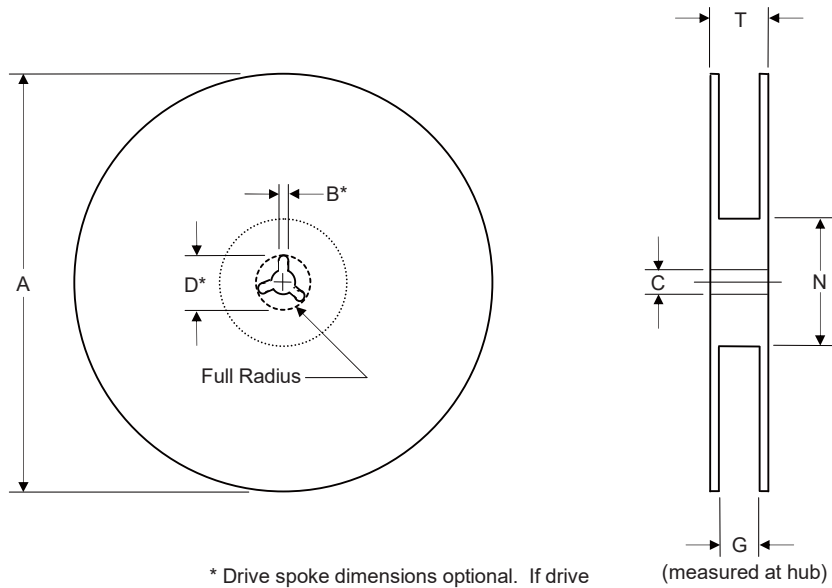
Allowable camber to be 1mm/100mm non-accumulative over 250mm



Start and Finish Specification



Surface Mount Reel Specifications

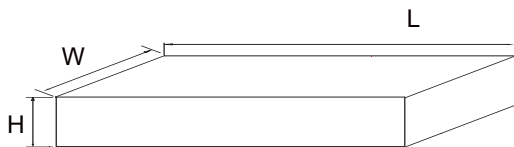


* Drive spoke dimensions optional. If drive spoke is used then asterisked dimensions apply.

| Tape Width | A | B | C | D | N | G | T |
|-------------|------|-----|------|------|-----|------|------|
| 12mm | 330 | 1.5 | 13.0 | 20.2 | 55 | 12.4 | 18.4 |
| (Tolerance) | ±2.0 | Min | ±0.2 | Min | Min | +2.0 | Max |

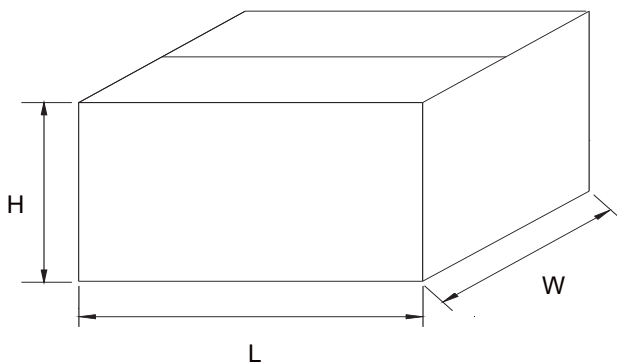
Dimensions

Inbox Size



| Description | Dimension | Specification(mm typical) |
|-------------|-----------|---------------------------|
| Length | L | 370 |
| Width | W | 340 |
| Height | H | 55 |

Carton Size



| Description | Dimension | Specification(mm typical) |
|-------------|-----------|---------------------------|
| Length | L | 385 |
| Width | W | 365 |
| Height | H | 315 |