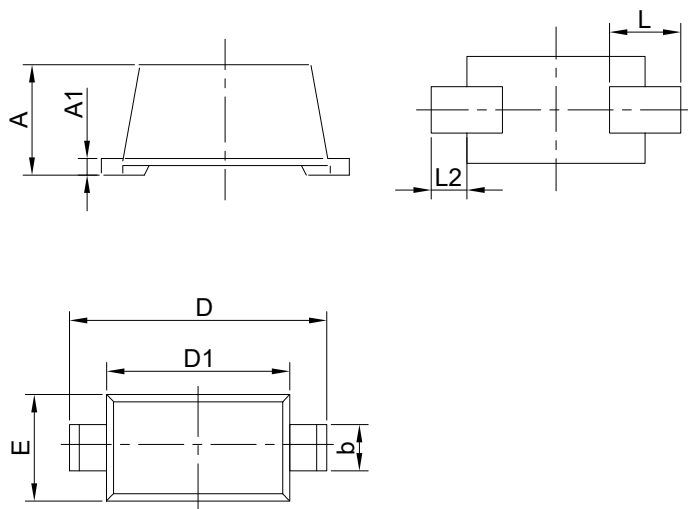
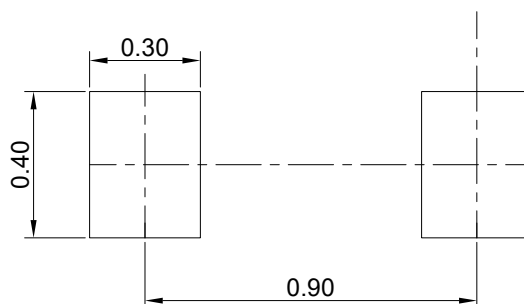


Package Outline



DIMENSIONS					
DIM	INCHES		MM		NOTE
	MIN	MAX	MIN	MAX	
A	0.014	0.017	0.360	0.430	
A1	0.003	0.007	0.070	0.170	
b	0.006	0.010	0.150	0.250	
D	0.037	0.041	0.950	1.050	
D1	0.030	0.033	0.750	0.850	
E	0.022	0.026	0.550	0.650	
L	0.007		0.019		TYP.
L2	0.002	0.006	0.050	0.150	

Suggested Pad Layout (Unit:mm)



Notes:

1. The suggested land pattern dimensions have been provided for reference only.
2. For further information, please refer to document IPC-7351A.