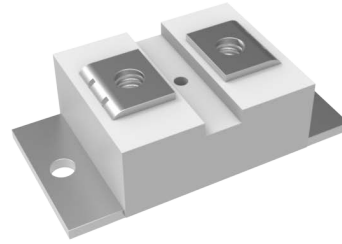


Mechanical Data

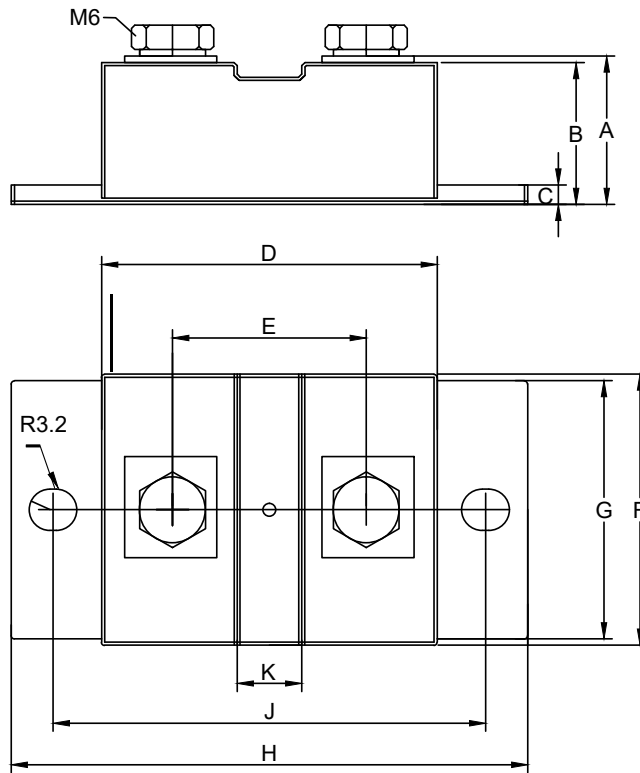
Package 3D Photo

- Weight: 135.0000 grams (Approximate)
- Halogen Free Available Upon Request By Adding Suffix "-HF"
- Lead Free Finish/RoHS Compliant (Note1) ("P" Suffix Designates RoHS Compliant. See Ordering Information)



Note: 1. High Temperature Solder Exemption Applied, see EU Directive Annex 7a.

Package Outline Dimensions



DIMENSIONS					NOTE
DIM	INCHES		MM		
	MIN	MAX	MIN	MAX	
A	0.886	0.925	22.50	23.50	
B	0.846	0.886	21.50	22.50	
C	0.114	0.120	2.90	3.05	
D	2.028	2.067	51.50	52.50	
E	1.173	1.189	29.80	30.20	
F	1.634	1.673	41.50	42.50	
G	1.555	1.594	39.50	40.50	
H	3.130	3.169	79.50	80.50	
J	2.630	2.669	66.80	67.80	
K	0.394		10.00		
R	0.126		3.20		Φ

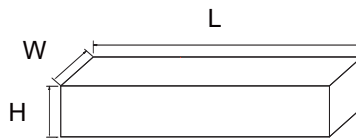
Packing Quantity

Package	Package Type	Minimum Packing Quantity	Carton Quantity
F6	Box	6	60

Note 1: These are minimum package quantities only. Minimum orders will differ. Contact the factory for more information on minimum order quantities.

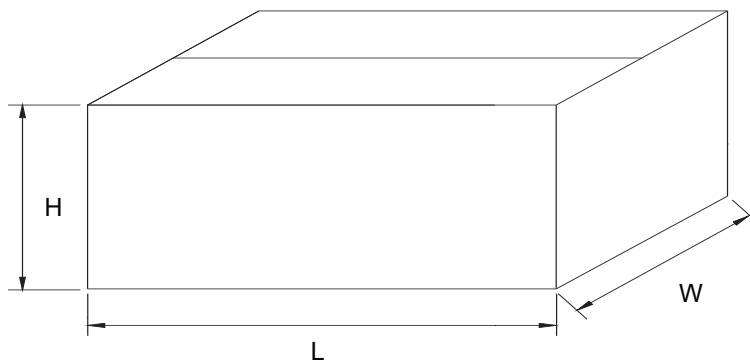
Dimensions

Inbox Size



Description	Dimension	Specification(mm typical)
Length	L	302
Width	W	268
Height	H	53

Carton Size



Description	Dimension	Specification(mm typical)
Length	L	555
Width	W	310
Height	H	280