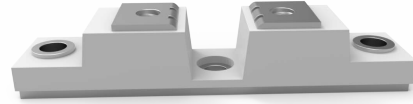


**Mechanical Data**

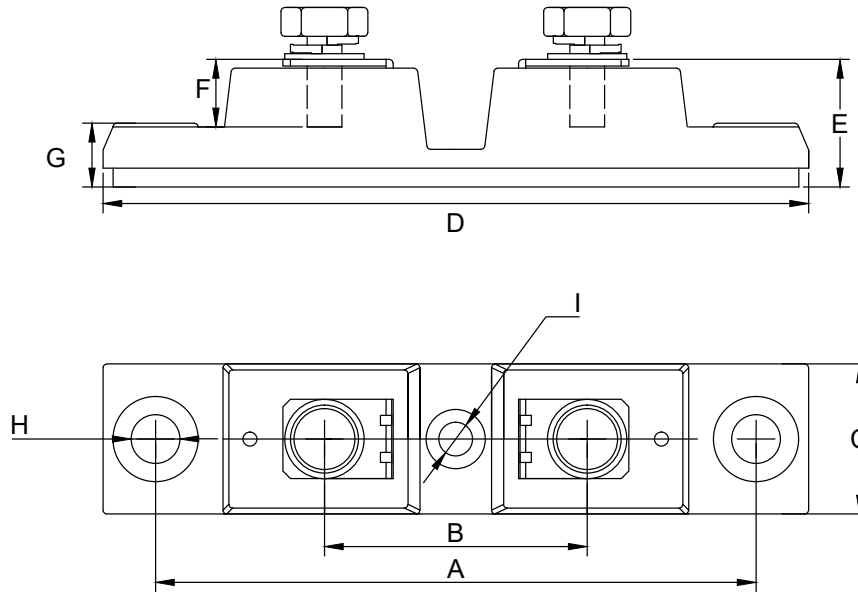
**Package 3D Photo**

- Weight: 65.0000 grams (Approximate)
- Halogen Free Available Upon Request By Adding Suffix "-HF"
- Lead Free Finish/RoHS Compliant (Note<sup>1</sup>) ("P" Suffix Designates RoHS Compliant. See Ordering Information)



Note: 1. High Temperature Solder Exemption Applied, see EU Directive Annex 7a.

**Package Outline Dimensions**



DIMENSIONS					
DIM	INCHES		MM		NOTE
	MIN	MAX	MIN	MAX	
A	3.130	3.169	79.50	80.50	
B	1.358	1.398	34.50	35.50	
C	0.768	0.807	19.50	20.50	
D	3.681	3.720	93.50	94.50	
E	0.649	0.689	16.50	17.50	
F	0.217	0.256	5.50	6.50	
G	0.315	0.354	8.00	9.00	
H	0.236	0.276	6.00	7.00	
I	0.157	0.197	4.00	5.00	

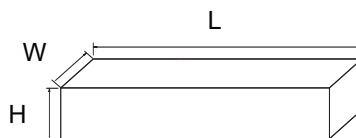
## Packing Quantity

Package	Package Type	Minimum Packing Quantity	Carton Quantity
F4N	Box	12	120

Note 1: These are minimum package quantities only. Minimum orders will differ. Contact the factory for more information on minimum order quantities.

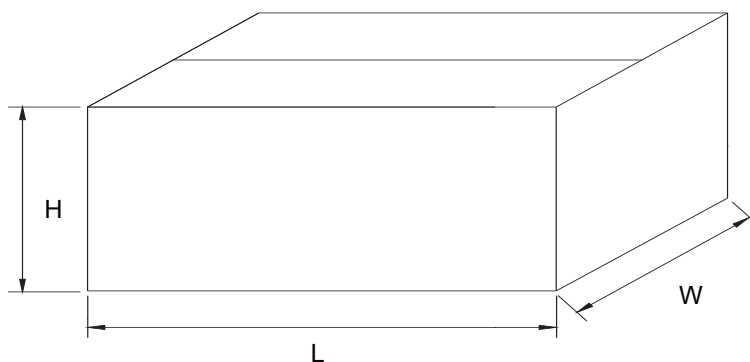
## Dimensions

### Inbox Size



Description	Dimension	Specification(mm typical)
Length	L	302
Width	W	268
Height	H	53

### Carton Size



Description	Dimension	Specification(mm typical)
Length	L	555
Width	W	310
Height	H	280